

Lugged Wafer Butterfly Valve with Tamper Switch (XD371XL), UL Listed

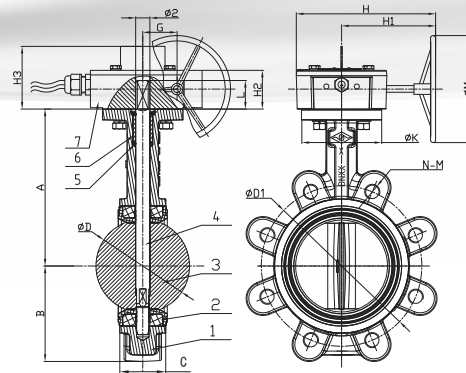
OC2700.T/CL



XD371XL



- Design Standard: MSS SP-67
- Connection Ends: ASME B16.1 CL 125, ASME B16.5 CL 150
- Top Flange Standard: ISO 5211
Stem drive by keys, parallel or diagonal square or at head
- Working Pressure: 250PSI
175PSI, 200PSI and 300PSI available upon request
- Temperature Range: 0°C - 80°C
- Coating: Fusion Bonded Epoxy Coating in accordance with ANSI/AWWA C550

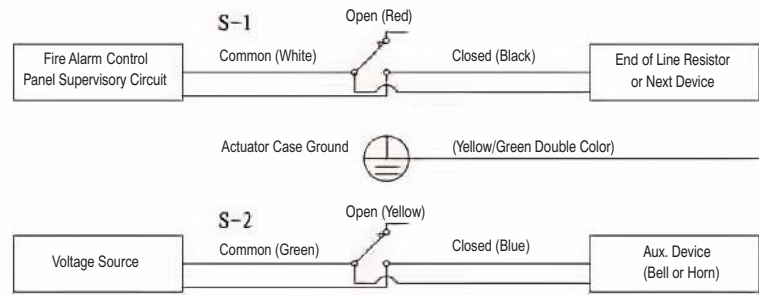


MATERIAL SPECIFICATION

Part No.	Part	Standard Specification	Options
1	Valve Body	ASTM A536, 65-45-12	
2	Seat	EPDM & Backing	NBR/Fluororubber&Backing EPDM/NBR Vulcanized on Valve Body Soft Seat in EPDM/NBR
3	Disc	ASTM A536, 65-45-12	AISI 304, AISI 316, AL-Bronze C95400
4	Stem	AISI 420, One-Piece Stem Design	AISI 304, AISI 316, AISI 416, AISI 431
5	O-Ring	NBR	EPDM
6	Bushing	PTFE	Nylon 1010
7	Signal Gear Box	ASTM A536, 65-45-12	

Note: For special material request other than standard specification, please indicate clearly on the inquiry or order list.

SWITCH WIRING DIAGRAM



DN		Dimensions(mm)															
Inch	mm	A	B	C	N-M	ØD1	M	H	H1	H2	H3	K	G	ØD	Ø2	L	ISO 5211
2"	50	140.5	64.5	43	4-5/8	120.7	150	208	151	65	108	90	59	53.9	14	32	F07
2.5"	65	153	72	46	4-5/8	139.7	150	208	151	65	108	90	59	65.2	14	32	F07
3"	80	157.5	86	46	4-5/8	152.4	150	208	151	65	108	90	59	79.7	14	32	F07
4"	100	176	100	52	8-5/8	190.5	150	208	151	65	108	90	59	105	16	32	F07
5"	125	191	112	56	8-3/4	215.9	150	208	151	65	108	90	59	129.8	16	32	F07
6"	150	202.5	128	56	8-3/4	241.3	150	208	151	65	108	90	59	155.8	20	32	F07
8"	200	243.5	162	60	8-3/4	298.5	200	298	223	77	121	125	75	207	26	45	F10
10"	250	273	194	68	12-7/8	362	200	298	223	77	121	125	75	253.3	26	45	F10
12"	300	311	223	78	12-7/8	431.8	250	299	224	77	121	125	75	301.9	28	45	F10